




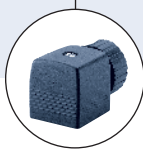


2/2-way Solenoid Valve with servo-diaphragm

- Universal version up to 232 PSI
- NBR, EPDM or FKM servo-diaphragms
- Waterhammer-free, low noise
- NC circuit function
- Brass and stainless steel body
- Threaded port or flange connections
- Approvals:     

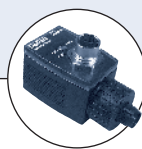
Type 5281 can be combined with...



Type 2508
Cable plug



Type 1078
Timer unit



Type 2511
ASI cable plug



Type 8600
Dosing control

Servo-assisted solenoid valve with servo-diaphragm for the control of liquid or gaseous media. A pressure difference of 2.9 PSI is required for a complete switchover.

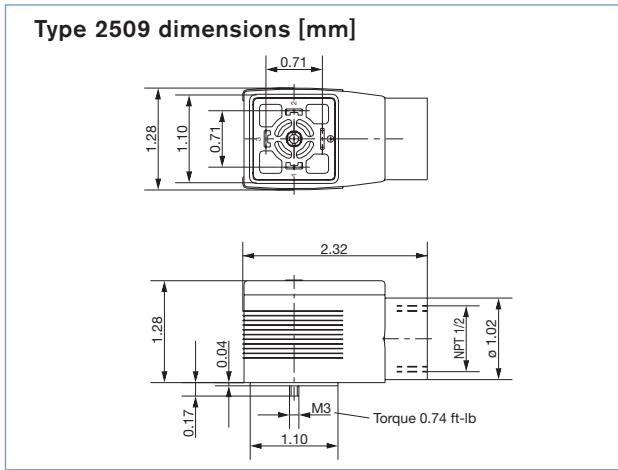
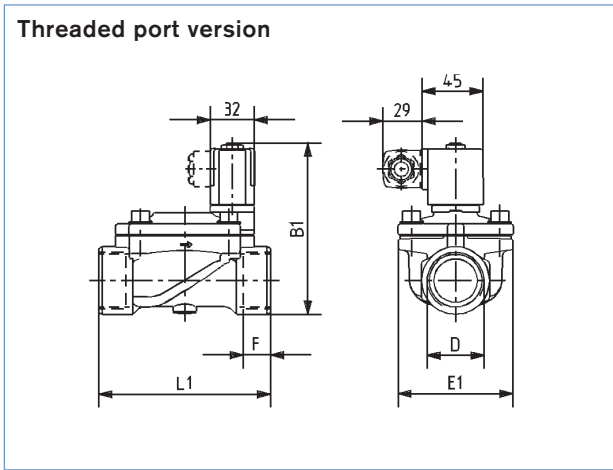
Power consumption		
Inrush AC [VA]	Hold (hot coil) AC [VA/W] DC [W]	
	24	14/8

Technical data	
Orifice	1/2" - 2" (DN 13 - 50 mm)
Body material	
Threaded port	Brass
Flange	Grey cast iron
Inner part valve	Stainless steel, brass
Seal material	NBR, EPDM, FKM
Media	
NBR	Neutral media, such as compressed air, water
EPDM	Oil and fat-free media
FKM	Hot air, oxygen, per-solutions
Media temperature	
NBR	14°F to 176°F (-10°C to +80°C)
EPDM	-40°F to 248°F (-40°C to +120°C)
FKM	14°F to 248°F (-10°C to +120°C)
Ambient temperature	Max. 131°F (+55°C)
Voltage tolerance	±10 %
Duty cycle	Continuous operation 100% ED
Electrical connection	Tag connector acc. to DIN 43650 Form A for cable plugs Type 2508 (see Accessories)
Protection class	IP 65 with cable plug
Installation	As required, preferably with actuator upright
Response times¹⁾	0.1 - 4 seconds (depending on orifice, pressure and viscosity)

1) Measured at valve outlet at 87 PSI and 68°F (+20°C).

Opening: pressure build-up 0 to 90%, Closing: pressure relief 100 to 10%

Dimensions [mm]



Threaded port						
DN	D	B1	B1*	E1	F	L1
13	NPT 1/2	100.0	120.0	40	14	65
20	NPT 3/4	107.5	127.5	60	16	100
25	NPT 1	116.0	136.0	70	18	115
32	NPT 1 1/4	126.5	146.5	85	20	126
40	NPT 1 1/2	135.5	155.5	85	22	126
50	NPT 2	157.2	177.2	115	24	164

B1* Version with manual override, available on request

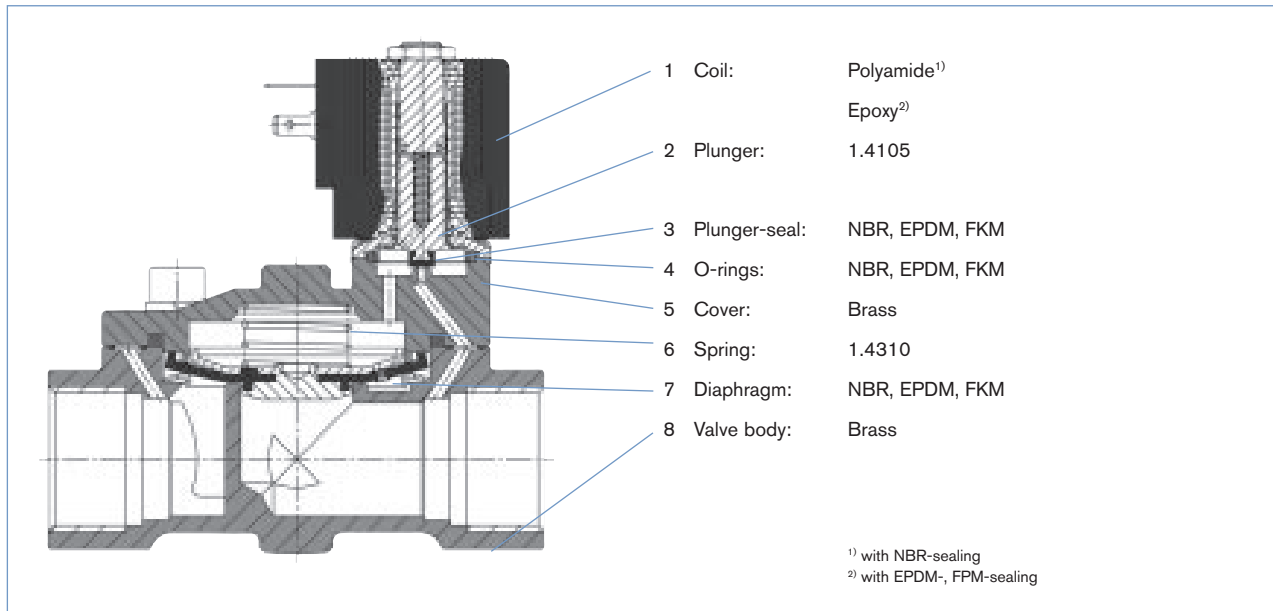
Ordering chart for valves (other versions on requests)

Circuit function A (Type 5281, normally closed), brass body, supplied with cable plug

Circuit function	Orifice [mm]	Port connection	C _v value water [GPM]	Pressure range [PSI]	Voltage/frequency [V/Hz]	Item no. UL listed / FM C1 Div1 / CSA / w/Type 2509 1/2 conduit connection	Item no. UL recognized w/Type 2508 DIN cable plug
A 2/2-way valve NC 	13	NPT 1/2	4.7	2.9 – 230	024/VDC	457 395	456 864
					024/60	457 396	456 865
					120/60	457 397	456 866
					240/60	457 398	456 867
	20	NPT 3/4	5.8	2.9 – 230	024/VDC	457 399	456 868
					024/60	457 400	456 869
					120/60	457 401	456 870
					240/60	457 402	456 871
	25	NPT 1	11.7	2.9 – 230	024/VDC	457 403	456 872
					024/60	457 404	456 873
					120/60	457 405	456 874
					240/60	457 406	456 875
	32	NPT 1 1/4	23.5	2.9 – 230	024/VDC	457 407	456 876
					024/60	457 408	456 877
					120/60	457 409	456 878
					240/60	457 410	456 879
	40	NPT 1 1/2	23.5	2.9 – 230	024/VDC	457 411	456 880
					024/60	457 412	456 881
					120/60	457 413	456 882
					240/60	457 414	456 883
	65	NPT 2	47.1	2.9 – 230	024/VDC	457 415	456 884
					024/60	457 416	456 885
					120/60	457 417	456 886
					240/60	457 418	456 887

Note: Versions with manual override available on request. FKM and EPDM seals are also available on request.

Materials



i Further versions on request



Approvals

UL/UR/CSA, ATEX-Ex, UL-fire protection, European gas approval



Voltage

110/50, other non-standard voltages

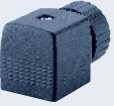


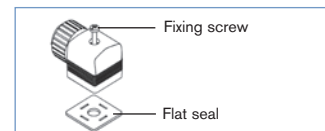
Port connection

NPT, Rc

Ordering chart for accessory

Cable plug Type 2508 according to DIN EN 175301-803 Form A

	Circuitry	Voltage / frequency	Item no.
	None (standard)	0 - 250 V AC/DC	008 376
	further versions see datasheet Type 2508		



The delivery of a cable plug includes the flat seal and the fixing screw. For other cable plug versions acc. to DIN EN 175301-803 Form A (previously DIN 43650), see separate datasheet Type 2508.